



# TOP SELECT™

VERSATILE CURBSIDE RECYCLING  
PIONEERED BY LABRIE.



- 30 yd<sup>3</sup> to 48 yd<sup>3</sup> body sizes available
- Manual or semi-automated configurations available
- 18" deep loading bucket available curbside and streetside
- 1000 lb bucket lift capacity
- Up to 7 quick and easy adjustable compartments for pick up of different streams

- Auto-lock cart attachments available for easy pick up of North American and European roll carts
- Optional 84" stroke-travel hydraulic "Maximizer" for optimum compartment utilization (not intended for use as a "packer")
- Over-the-top dumping system
- Fully integrated Labrie CNG system – back of cab mount – 50 to 82 DGE available

### Body Specifications

Body Floor	3/16" 50W 50,000 psi
Body Sides	12ga A1011 CS
Body Roof (fixed)	16ga A1011 CS
Body Roof (mobile)	14ga A1011 CS
Tailgate	12ga A1011 CS

### Cylinder Specifications

Body Lifting Cylinder (short deck)	4 stages 6-1/16" bore x 150" stroke
Body Lifting Cylinder (long deck)	4 stages 6-1/16" bore x 180" stroke
Loading Bucket Cylinders	3-1/4" bore x 1-1/2" rod x 15-1/2" stroke
Maximizer Cylinder	5" bore x 3" rod x 84" stroke
Tailgate Cylinders	2-1/2" bore x 1-1/2" rod x 28" stroke

### Maximizer (for compartment optimization<sup>1</sup>)

Packing Force on Recyclables (towards front)	40,000 lbs
Packing Force on Paper (towards tailgate)	18,000 lbs

<sup>1</sup>Not intended for compaction

### Loading Bucket Specifications

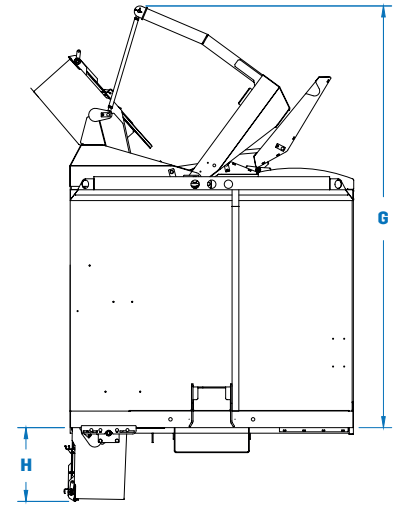
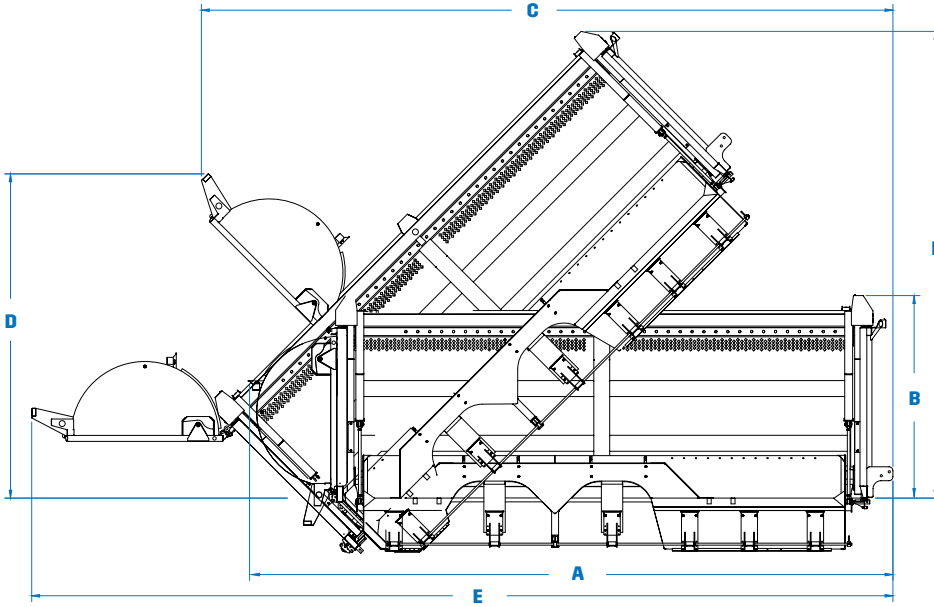
Lifting Capacity	1,000 lbs
Loading bucket width	18"
Loading height above frame	0"

### Hydraulic Specifications

Pump	Gear
Pump Capacity	20 gpm @ 1200 rpm
Max. Operating Pressure	2,000 psi
Oil Reservoir	40 gal

Note: Specifications subject to change without notice





<b>Body Dimensions (Top Select 1000)</b>	34yd <sup>3</sup> (31+3)	42yd <sup>3</sup> (38+4)	45yd <sup>3</sup> (44+1)	48yd <sup>3</sup> (44+4)
A. Overall Length, Tailgate Closed (in.)	281	288	298	324
Overall Width (in.)	102	102	102	102
B. Overall Height Above Frame, Tailgate Closed (in.)	90	102	102	102
C. Overall Length, Tailgate Open (in.)	305	312	352	348
D. Overall Height Above Frame, Tailgate Open (in.)	137	163	158	163
E. Overall Length, Dumping Position (in.)	374	397	433	433
F. Overall Height Above Frame, Dumping Position (in.)	201	209	235	235
G. Overall Height Above Frame When Dumping (in.)	124	152	152	152
H. Distance between bottom of bucket and chassis frame rail (in.)	27	27	27	27

### Performance Specifications

Bucket complete cycle time	15 - 17 sec @ 700 rpm
Maximizer complete cycle	28 - 35 sec @ 700 rpm
Tailgate Open	18 sec @ 700 rpm
Tailgate Close (with Safety Flow limiter)	20 sec @ 700 rpm
Body Up (depending on body size)	35-45 sec @ 1500 rpm
Body Down (depending on body size)	25-35 sec @ 700 rpm